



# DELHI PUBLIC SCHOOL GAYA

(Under the aegis of the Delhi Public School Society, New Delhi)  
Affiliated to C.B.S.E, New Delhi Affiliation No.330530, School Code – 65572

## WINTER VACATION ASSIGNMENT CLASS-V (SESSION: 2024-25)

Your Winter Vacation assignment has some very interesting tasks that will make your learning session fun and engaging. So, let's start!

### ENGLISH

1. Imagine you are in Topsy-turvy land. Draw and describe the things you saw there.
2. If you find your friend getting bullied, what measures will you take to support your friend?
3. Draw and write about the character of Gulliver in 'Gulliver's Travels'.
4. Complete the next 5 pages of your 'Cursive Writing' book.
5. Make a wall hanging on 'Kinds of Prepositions'. (time, place, movement)

### हिन्दी

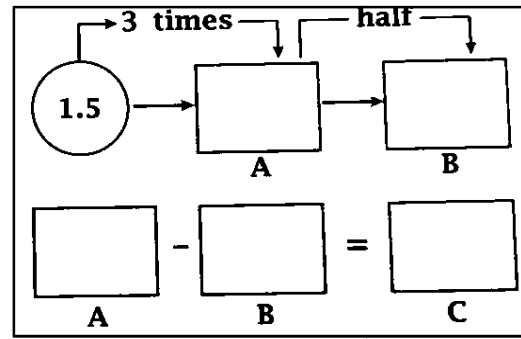
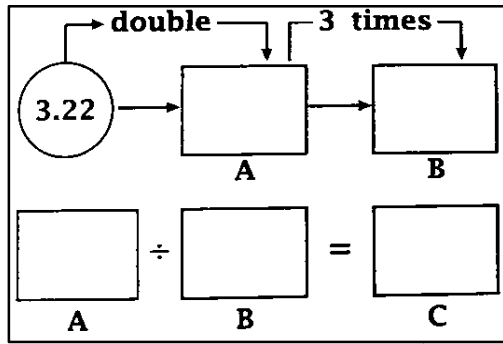
1. आपने कभी रेलगाड़ी में सफर किया होगा, इस दौरान आपने स्टेशन पर क्या-क्या देखा, पाँच पंक्तियों में लिखिए ।
2. माता-पिता की डाँट आपके विकास में कितना योगदान करती है? पाँच पंक्तियों में लिखिए।
3. आपने सर्दी की छुट्टी किस प्रकार बिताई? पाँच वाक्य में लिखिए।
4. माँ के साथ अपने बचपन की तस्वीरों का एक कोलॉज बनाइए ।
5. इलेक्ट्रॉनिक गैजेट्स पर खेलने से कौन-कौन सी हानियाँ होती हैं? पाँच वाक्य में लिखिए ।

### MATHEMATICS

1. Classify the given angles as acute, obtuse, right or straight.  
 $12^\circ, 59^\circ, 81^\circ, 91^\circ, 102^\circ, 131^\circ, 90^\circ, 152^\circ, 180^\circ, 128^\circ, 32^\circ, 165^\circ$
2. Find the perimeter of two books placed next to each other along their breadth, each measuring 12 cm in length and 10 cm in breadth.



5. Fill in the boxes:



## SCIENCE

1. How do solar and lunar eclipse occur?
2. Samuna wanted to make compost and she buried some broken glass pieces, few iron nails and broken toys under the soil. After two months, she dug the soil and found that the waste didn't change at all. What could be the reasons for this? What should she do instead?
3. "Mars Orbiter Mission is India's first interplanetary mission to planet Mars". It is designed to orbit Mars in an elliptical orbit. Find out more about this mission, its purposes and its advantages.
4. In an earthquake prone area. Explain the role of the following people:
  - (a) Scientist
  - (b) Engineer
  - (c) The Military Officials
  - (d) Local people
  - (e) NGO
5. Make a model on different phases of the moon.

## SOCIAL SCIENCE

**Note: Question no. 1, 2 and 3 in Assignment copy**

1. Revolt of 1857 was the First War of Independence. Write any three outcomes of the Revolt of 1857.
2. Mahatma Gandhi is known as the Father of the Nation. Prepare a short biography with his picture and important movements led by him.
3. Indian is the land of festivals. List out few winter harvest festivals of India. Paste related picture as well.
4. Arrange the following years of Indian freedom struggle on a Time line on a A4 size paper. Mention the related events associated with these years. (1857, 1905, 1919, 1930, 1942 and 1947)
5. Map work:  
Demarcate the following on Indian Political map.  
Amritsar, Chauri Chaura, Dandi and Champaran

## COMPUTER

1. Explain following Terms:
  - (a) Transition effect in terms of PowerPoint.
  - (b) Animation in PowerPoint.
2. Write the use of Slide master in terms of PowerPoint.
3. What is variable in terms of Scratch programming?
4. Write the use of following blocks:
  - (a) Sensing Blocks
  - (b) Operators Blocks
5. Write a Script in assignment copy by adding blocks from different block palettes to show the movement of Earth around Sun.

